

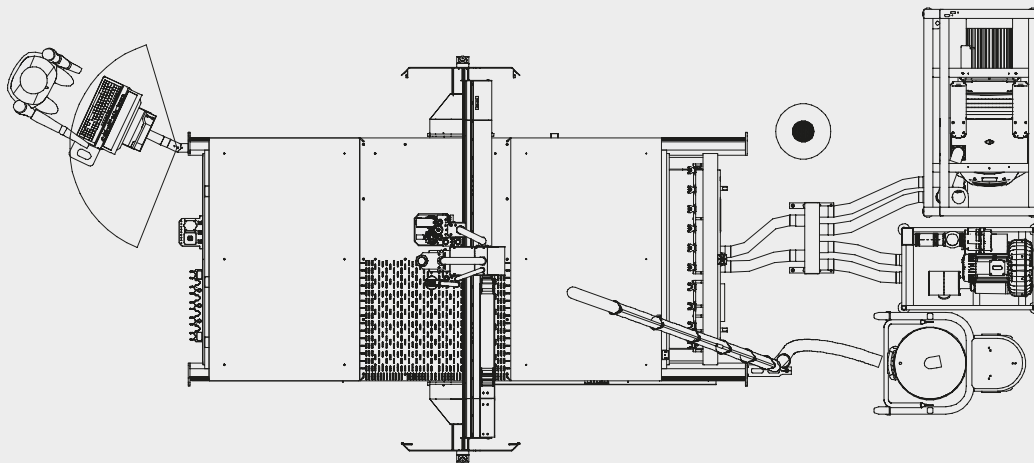
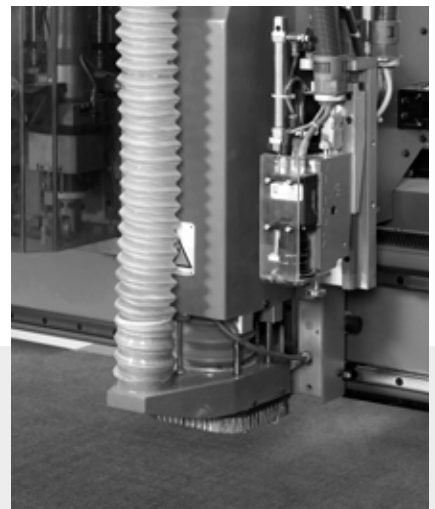
MILLA PLUS



The fully automatic milling machine for the die shop

MILLA PLUS

MillaPlus, is a CNC machine especially designed for the production of tooling for the packaging and converting industries. An extremely functional machine designed to offer state of the art results at a superior price/performance ratio.



Plywood milling

Phenolic milling

A fully integrated control unit is installed on the machine with an on-board PC on a articulating base for ease of operation. The flatness probing system allows for on the fly Z axis adjustments.

01

AlphaCAM Essential, the ideal entry level software product for basic 2D CNC work, offers the fundamental functionality required for CAD/CAM production, including the nesting of parts on the screen and 3D Engraving.

02

All CNC components and electrical components are easily accessed and integrated into the machine frame.

03



The automatic tool presetting option measures each tool and ensures milling accuracy. The machine is equipped with up to twelve automatic tool changing positions.

04

A rack and pinion X-Y axis movement is coupled with a Z axis with a ball screw and preloaded nut. X-Y axes are driven by motors, Z axis is guided by a belt system.

05

Materials are secured with a high velocity vacuum system integrated in the machine frame. A synthetic table top ensures flatness and can be easily scanned and replaced as required over the life of the machine.

06

MillaPlus frame is made of electro-welded steel.

07





Serviform America was formed in August of 2015, in partnership with Proform S.r.l the manufacturing division of Serviform, to provide a domestic parts and service organization for all Serviform machines in North America. In 2020, Serviform America added Cutlite Penta to their equipment arsenal and became the exclusive agent of Serviform equipment and Cutlite Penta Laser Systems in the United States and Canada. Serviform America is committed to providing customers with the highest level of service as well as a robust inventory of parts for Serviform benders, milling machines, rubber processors and Cutlite Penta flat, rotary and combo laser systems.

SERVIFORM

Numbers that count in Italy!



+60%

Increase of machines sold from 2009 to 2021



+60:

Employees



5

International patents



7%

Turnover reinvested in Research and Development annually



+4500 mq:

Office area and production departments



91%

Export turnover



+800

Companies using our machines



+60

Countries where we have machines installed



+650

Service and assistance hours per year



12

Research and Development active projects



72.400 kw:

Energy produced by Serviform photovoltaic park



+110

Customers visiting per year



1 mm:

Minimum bending radius



Accuracy

Dimension & weight

Power & consumption

Hardware:
x86 Compatible Windows

Data Input:
.CF2/ .DXF/ .DWG/ .DDE/
.DDS/ .DD3/ .IGES/ .STL

Positioning:
≤0.06

Positioning Repeatability:
≤0.04

Interpolation:
≤0.05 Ø60 F3000

Rapid Axis:
XYZ: X-Y 60000 mm/min
Z: 30000 mm/min

Spindle:
3.5 kw rpm40000

Machine Body Dimensions:
6220/5220 x 2860 h 400 mm
(244.88"/205.5" x 112.6" h 157.48")

Working Area:
2016: 2000 x 1600 mm (78" x 63")
3016: 3000 x 1600 mm (118" x 63")

Vacuum Pump Dimensions:
1440 x 700 h 1720 mm
(56.7" x 27.56" h 67.7")

Blower Dimensions:
1030 x 690 h 1390 mm
(40.55" x 27.16" h 54.72")

Machine Body Weight:
1600 Kg
(3527 lbs)

Vacuum Pump Weight:
630 Kg
(1388 lbs)

Blower Weight:
90 Kg
(198 lbs)

Electrospindle:
(cone type) ISO 20

Power Supply:
400V +/-10% 50hz 3P+N (u.s.220V
+/-10% 60hz)

Compressed Air Supply:
7 bar (100 psi)

Power Consumption:
18 kW

Compressed Air Consumption
with Pneumatic Cut:
450 NI/min

Technical specifications can change without notice

Serviform machines are proudly manufactured by Proform S.r.l.

6840 Meadow Lane, Alpharetta, GA 30005
Phone: 844.850.4732 Email: sales@serviformamerica.com

www.serviformamerica.com