



Serviform America was formed in August of 2015, in partnership with Proform S.r.l the manufacturing division of Serviform, to provide a domestic parts and service organization for all Serviform machines in North America. In 2020, Serviform America added Cutlite Penta to their equipment arsenal and became the exclusive agent of Serviform equipment and Cutlite Penta Laser Systems in the United States and Canada. Serviform America is committed to providing customers with the highest level of service as well as a robust inventory of parts for Serviform benders, milling machines, rubber processors and Cutlite Penta flat, rotary and combo laser systems.



SERVIFORM

Accuracy

Dimension & Weight

Power & Consumption

LINEA

Numbers that count in Italy!



+60%
Increase of machines sold from 2009 to 2021



+60:
Employees



5
International patents



7%
Turnover reinvested in Research and Development annually



+4500 mq:
Office area and production departments



91%
Export turnover



+800
Companies using our machines



+60
Countries where we have machines installed



+650
Service and assistance hours per year



12
Research and Development active projects



72.400 kw:
Energy produced by Serviform photovoltaic park



+110
Customers visiting per year



1 mm:
Minimum bending radius

Hardware:
IBM Compatible, latest Windows OS version

Data Input:
.CF2/ .DXF/ .DWG .DDE/ .DDS/ .DD3/ .DS2/ .NC/ .RUL/ .N/ .RTX

Steel Rule Thickness:
1.5 Pt. (0.53 mm),
2 Pt. (0.71 mm), 3 Pt. (1.07 mm),
4 Pt. (1.42 mm)

Steel Rule Height:
20.00 - 32.00 mm
(0.787" - 1.259")

Machine Body (l x w x h):
2250 x 1275 x 1740 mm
(88.5" x 50" x 68.5")

Coil Holder Trolley:
800 x 1050 x 1100 mm
(31.5" x 41.5" x 43.5")

Weight Machine Body:
650 Kg (1440 lbs.)

Weight Coil Holder Trolley:
70 Kg (154 lbs. empty)

Power Supply:
220 AC (single phase) TN-S 50/60Hz

Air Pressure:
6 bar (90 psi)

Power Consumption:
2.5 Kw

Compressed Air Consumption:
max 10 NI/min

Safety Protection Level:
D-(PL-D) as per EN 13849 standard
CE conformity certified by an independent certification authority



Technical specifications can change without notice

Serviform machines are proudly manufactured by Proform S.r.l.

6840 Meadow Lane, Alpharetta, GA 30005
Phone: 844.850.4732 Email: sales@serviformamerica.com

www.serviformamerica.com

The revolutionary top of the range die making bender & processor

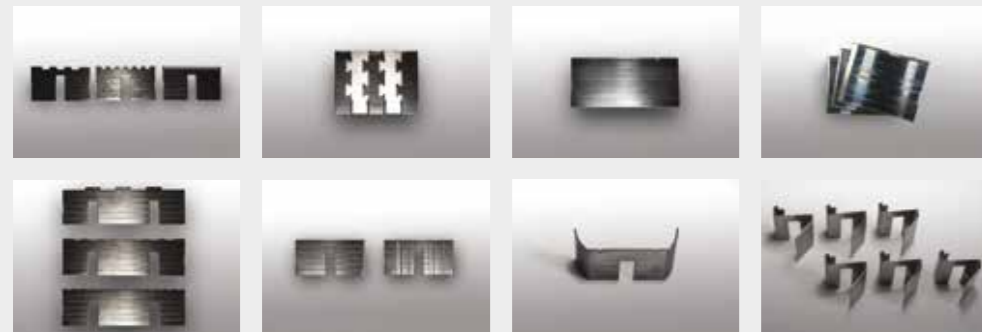
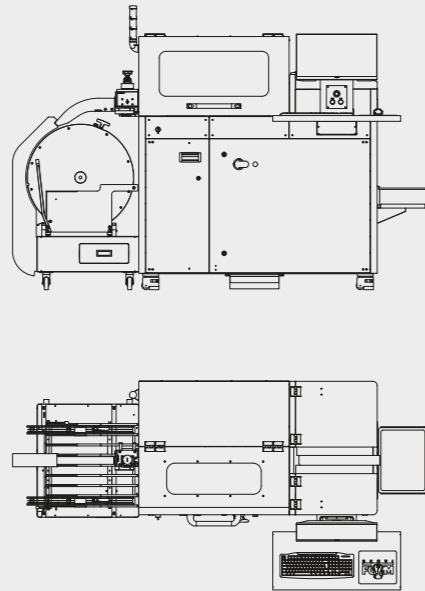


LINEA

The revolutionary top of the range die making bender & processor.



- ☛ Straight cut
- ☛ Multi profile broaching even at the end of the pieces
- ☛ Perforating rule
- ☛ Dovetail for combo cut/crease rule
- ☛ Punched nicks
- ☛ LineA bending sleeve, high-speed bending
- ☛ Miter-lip
- ☛ Bridges
- ☛ Cut/crease rule
- ☛ Nick grinding
- ☛ Scribing



LineA comes fully equipped to serve the requirements of all high quality and specialized die makers, industry 4.0 ready!

01

Serviform Machines operate on an innovative software system developed by Serviform. SDDS (Serviform Digital Diemaking System) was developed based on Windows OS, specifically to meet the needs of the die making industry. Main features of the software are ease of use, perfect interface ability with existing networks, and extreme flexibility as all the operations of the machine are electrically or pneumatically driven. All Serviform machines can be networked together to help improve process efficiencies. In addition, LineA machine controls are now managed entirely by multiple industrial PLCs.

02

With appropriate tooling, LineA can process 1.5, 2, 3 and 4 PT rule up to 1.25" tall rule.

03

A complete set of special cartridges allows the creation of special rule such as punched revolver nicks, dovetail combo rule, custom perforation rule, custom cut/crease rule, jointlock for closed shapes and special cut back corners for creasing rules to be used with steel plates and other materials.

04

Thanks to the adoption of the innovative bending sleeve concept (featured in the EcoPlus and EcoGiant machines), changing from one pointage to another is faster than ever before and can be done without using extra tools. With LineA, bending speed is 33% faster than our fastest previous benders!

05

LineA is equipped with a completely redesigned in-line broaching unit. Both sides of the rule can be broached with a variety of broaching tools, allowing different shapes of broaching for varying applications. Broaching at the end and beginning of the pieces with complete protection of the miter is now possible to create a more consistent "hand grind effect" at the end of the rule with exacting accuracy.

06

A completely redesigned 6 wheel grinding unit for nicks produces perfect geometric & uniform nicks from 0.2 mm (0.008") to 5.0 mm (0.197"). There are now six electric spindles with individual depth control, equipped with the Ultrasonic hard metal wheels. Nicking tools are driven by the machine control software and nick grinding is now 5 times faster than ever before. The positions of the nicks are automatically imported from the CAD drawing. A powerful vacuum suction system guarantees a totally clean dust free operation.

07

A new thermo-welded sheet metal body with integrated electrical cabinet makes this machine not only rigid, but also a show piece in your die shop.

08

